

J704 Alarming Showcase

Beautifully displays wearables in an above-counter display case.

Fully engaging display that encourages the best customer trial.



J704 is a completely above counter fixture that allows you to display up to six wearables creating a highly visible merchandise display. With the assistance of store staff, customers can try a wearable as they would jewelry or a conventional watch.

No clamps, cables or sensors get in the way of a perfect customer experience. The J704 integrates OEM chargers to provide immediate, universal charging capability ensuring devices always have power.



J704 Alarming Showcase

FEATURES AND BENEFITS

- 1 Completely above-table solution provides beautiful display of wearables in a space-efficient manner that is easy to install
- 2 Utilizes OEM charger to provide immediate power-up capability for any wearable
- 3 Four USB-A power connections located underneath access cover provide easy above-table re-merchandising
- 4 Cost-effective protection for 4-6 wearables
- 5 Adjustable stems make reconfiguration simple
- 6 Demo loops can be run continuously, because watches are always charging
- 7 J704 is part of the InVue single key IR Ecosystem™ and is compatible with Access Manager™



Items shown in this configuration:

- › DUW100-W (J704 Base - White)
- › DUW400 (J704 Lid / Cover - Clear)
- › DVW404 (W1000 / J704 Apple Trim)
- › DVW406 (W1000 / J704 Pebble Trim)
- › EC9154 (Power Supply 5.3V)
- › YC9 (C7 AC Power Cable - US)
- › YC10 (C7 AC Power Cable - UK)
- › YC11 (C7 AC Power Cable - EU)
- › YC12 (C7 AC Power Cable - AU)

Note: Choose either YC9, YC10, YC11, or YC12 based on location



J704 Alarming Showcase



IR ECOSYSTEM™

The J704 is part of the exclusive InVue IR Ecosystem™, a storewide single key solution that improves customer service, increases sales and provides high theft protection.



Items shown in this configuration:

- › DUW100-W (J704 Base - White)
- › DUW400 (J704 Lid / Cover - Clear)
- › DVW405 (W1000 / J704 Fitness Band Cradle)
- › EC9154 (Power Supply 5.3V)
- › YC9 (C7 AC Power Cable - US)
- › YC10 (C7 AC Power Cable - UK)
- › YC11 (C7 AC Power Cable - EU)
- › YC12 (C7 AC Power Cable - AU)

Note: Choose either YC9, YC10, YC11, or YC12 based on location



Handheld Electronics

Electronic Accessories

Secure Fixtures

Package Protection

Locked Cabinets

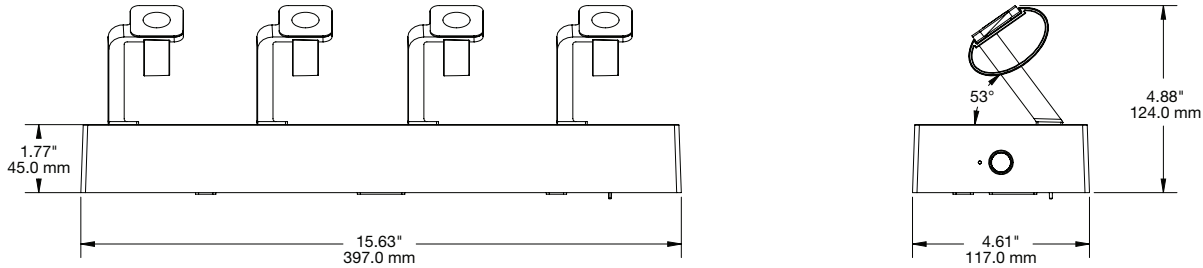
Commercial Solutions



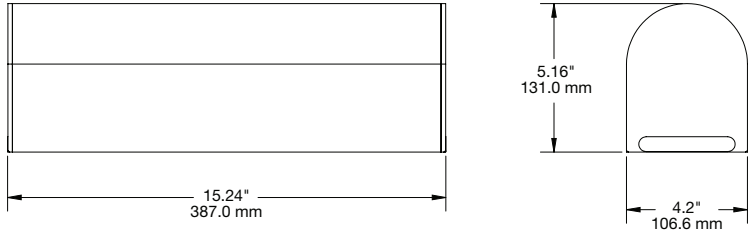
J704 Alarming Showcase

SPECIFICATIONS

J704 Base (DUW100-W):



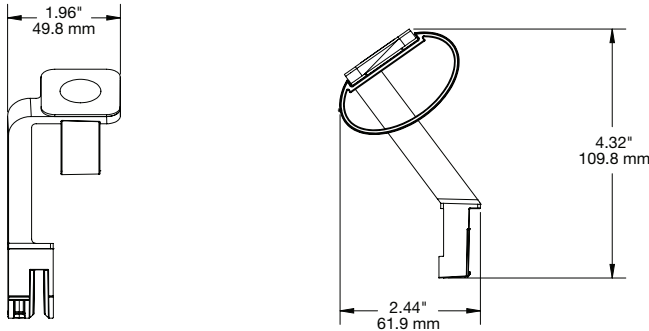
J704 Lid / Cover - Clear (DUW400):



J704 Alarming Showcase

SPECIFICATIONS

J704 Watch Stem and Band Form (DUW401):



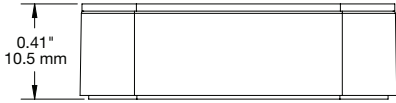
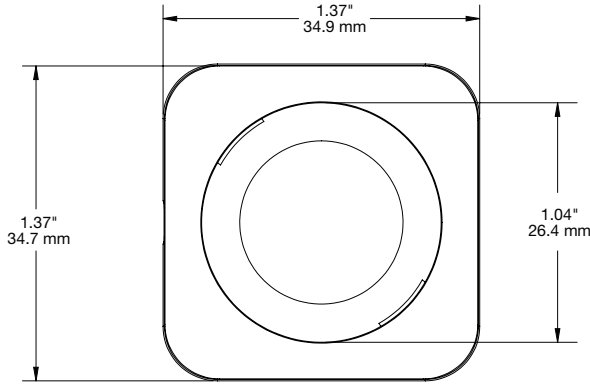
W1000 / J704 Clear Watch Band Form - 4 Pack (DUW403):



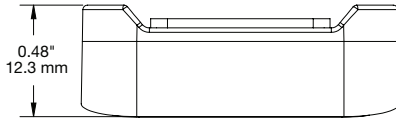
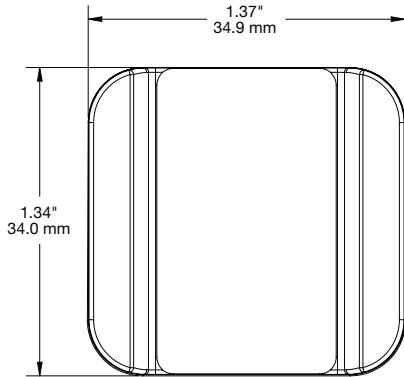
J704 Alarming Showcase

SPECIFICATIONS

J704 / W1000 - Apple Trim (DVW404):



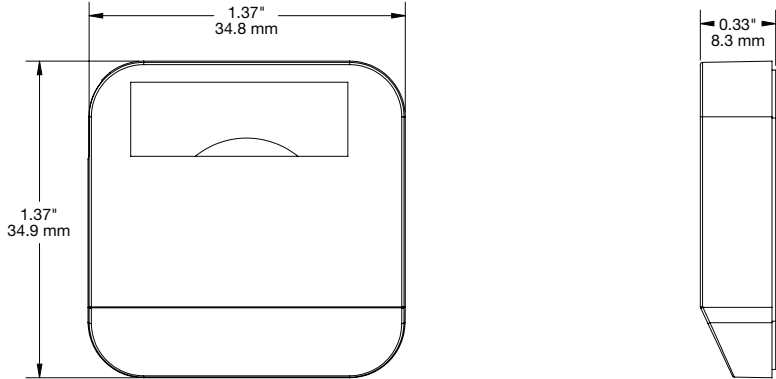
J704 / W1000 - Fitness Band Cradle (DVW405):



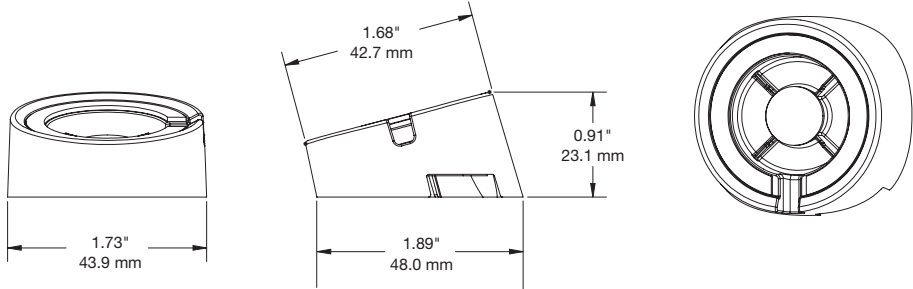
J704 Alarming Showcase

SPECIFICATIONS

J704 / W1000 - Pebble Trim (DVW406):



J704 / W1000 Fossil Watch Trim (DVW412):



J704 Alarming Showcase

PRODUCT ORDERING

ORDER CODE	DESCRIPTION	NOTES	CARTON QTY.
DUW100-W	J704 Base - White	<ul style="list-style-type: none"> › Includes base, metal plate, and four watch stems, band forms, velcro bands, PSAs, and silicone pads › Requires DUW400 lid › Replacement adhesive: ADH2040 	6
DUW400	J704 Lid / Cover - Clear		3
DUW401	J704 Replacement Stem & Band Form - Single Pack	› Replacement adhesive: ADH2111	32
DUW402	Replacement Velcro Bands - 4 Pack		32
DUW403	W1000 / J704 Clear Watch Band Form - 4 Pack		32
DUW405	J704 Metal Plate - Replacement Kit		32
DVW404	W1000 / J704 Apple Trim	› Replacement adhesive: ADH2113	96
DVW405	W1000 / J704 Fitness Band Cradle	<ul style="list-style-type: none"> › It is recommended that fitness band displays use DVW405 for proper band placement › Replacement adhesive: ADH2113 	96
DVW406	W1000 / J704 Pebble Trim	› Replacement adhesive: ADH2113	96
DVW412	W1000 / J704 Fossil Watch Trim	› Replacement adhesive: ADH2113	32
ADH2040	Base Replacement Adhesive - 15 Pack	› For DUW100	20
ADH2111	W1000 / J704 Stem Replacement Adhesive & Silicone Pads - 8 Pack	› For DUW100 stems and DUW401	20
ADH2113	W1000 / J704 Trim/Cradle Replacement Adhesive - 8 Pack	› For trims and cradles	20
EC9154	Power Supply 5.3V	› Requires C7 power cable	32
YC9	C7 AC Power Cable - US	› For EC9154	100
YC10	C7 AC Power Cable - UK	› For EC9154	100
YC11	C7 AC Power Cable - EU	› For EC9154	100
YC12	C7 AC Power Cable - AU	› For EC9154	100

invue.com

©2016 InVue Security Products. No endorsement of InVue products has been made by any of the manufacturers of the products shown. Product is sold pursuant to InVue's warranty which can be found at www.invue.com/warranty.

THE AMERICAS 704.752.6513 • 888.55.INVUE

EUROPE, MIDDLE EAST & AFRICA +31.23.8900150

ASIA PACIFIC +852.3127.6811

